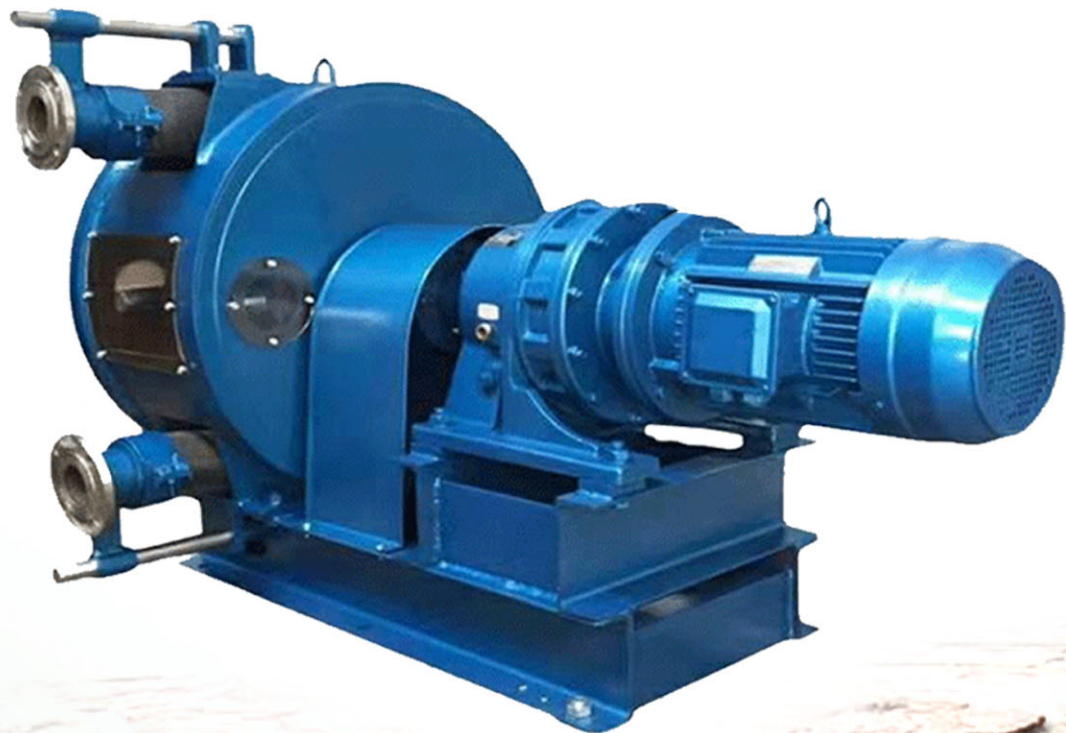




BOSSUMPUMP

Peristaltic Pump

Hose Squeeze Pump



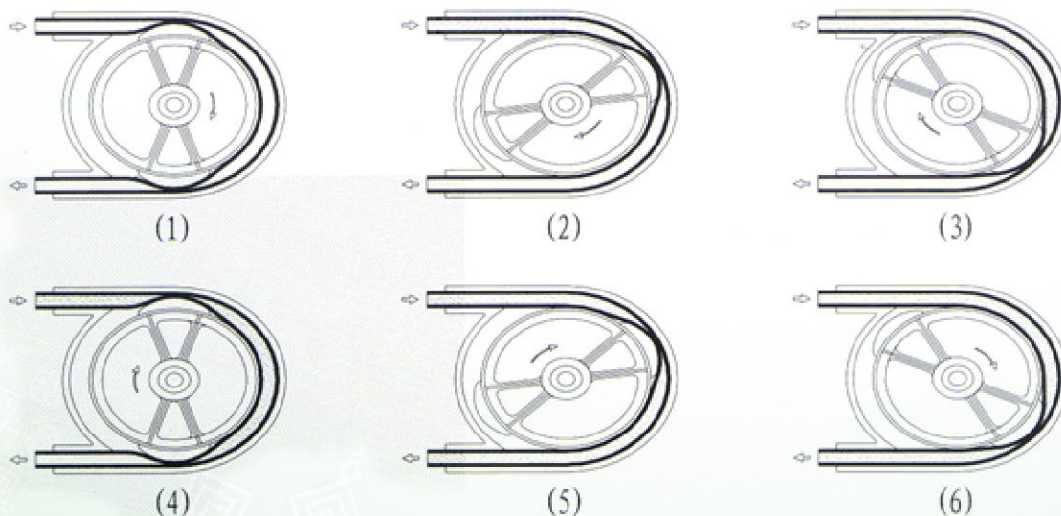
► PRODUCT OVERVIEW

Hose pump is a new type of pump, is the absorption of foreign advanced technology and the development of a new, multi-functional, multi-purpose industrial pump. Perfect unique technology can ensure its unique performance: simple structure, reliable work, low maintenance cost, can meet high pressure and high flow applications. It completely got rid of the traditional pump impeller and shaft seal operation mode, for the viscosity, corrosion, fluid impurities large medium transport has a great advantage, and the traditional transport pump is completely different from the principle, the application of a wide range. Hose pump has a good application prospect, and has become one of the pump types developed rapidly.



Working principle and characteristics

The rotor of the pump rotates in the lubricated pump chamber, pressing the hose together with the pump housing through the upper pressure tile of the rotor. Divide the hose into two volumetric Chambers (suction and discharge Chambers, as shown). In the process of rotation, the medium on one side of the discharge chamber in the tube is transported to the outlet. On the other hand, the suction chamber on the other side produces a vacuum and sucks in the medium. The volume between the rotors is equal to half of the volume per transfer. In the process of rotation, the pump continuously transfers this volume flow from the inlet to the outlet.



Hose pump unique seal structure, no valve will not occur any leakage; It can

be turned dry without shaft seal, bearing or rotor failure;The pump allows two-way operation and two-way transmission.The purpose of changing the flow rate can be achieved by adjusting the speed of the pump. The flow rate can be adjusted linearly, and it has certain metering function, while keeping the outlet pressure basically unchanged.The smooth hose cavity allows it to absorb fluid containing impurities, various fiber objects and solid particle slurry without any blockage or failure.Hose pump rate is high, the transport concentration pulp class JiaZhi at up to 75%.Energy saving more than 50% than centrifugal pump.

Hose pump can be installed with a variety of materials of the hose, the medium is only in contact with the hose, according to the media chemical properties of the choice of differentThe material of the hose, can reliably transport all kinds of corrosive chemical media.Simple hose assembly, easy installation and maintenance,Low maintenance cost, simple operation;The maximum suction range of the hose pump is 9m, the maximum discharge pressure is 1.3mpa, and the flow rate is 0.5-50Cubic meters per hour.Hose pump has no shear force, especially suitable for conveying fluid sensitive to shear stress.

In summary, the hose pump has the following characteristics:

- ◇ Easy installation, simple and reliable operation, continuous operation.
- ◇ Can transport mud, transport shear - sensitive, corrosive, abrasive and bubble - containing fluid.
- ◇ It is suitable for conveying corrosive, high viscosity, high density fluid ideal equipment.
- ◇ Safe air operation.The pump does not need to be cooled or lubricated with fluid and can work safely with continuous air intake.
- ◇ Maintenance free.The fluid is completely contained in the hose and does not touch other parts of the pump.
- ◇ No seals, valves, diaphragms, gaskets, immersion rotors, stators or pistons need to be replaced.Completely sanitary pump, easy to clean, maintenance free.Greatly reduce the number of spare parts.

► Main applications of hoses

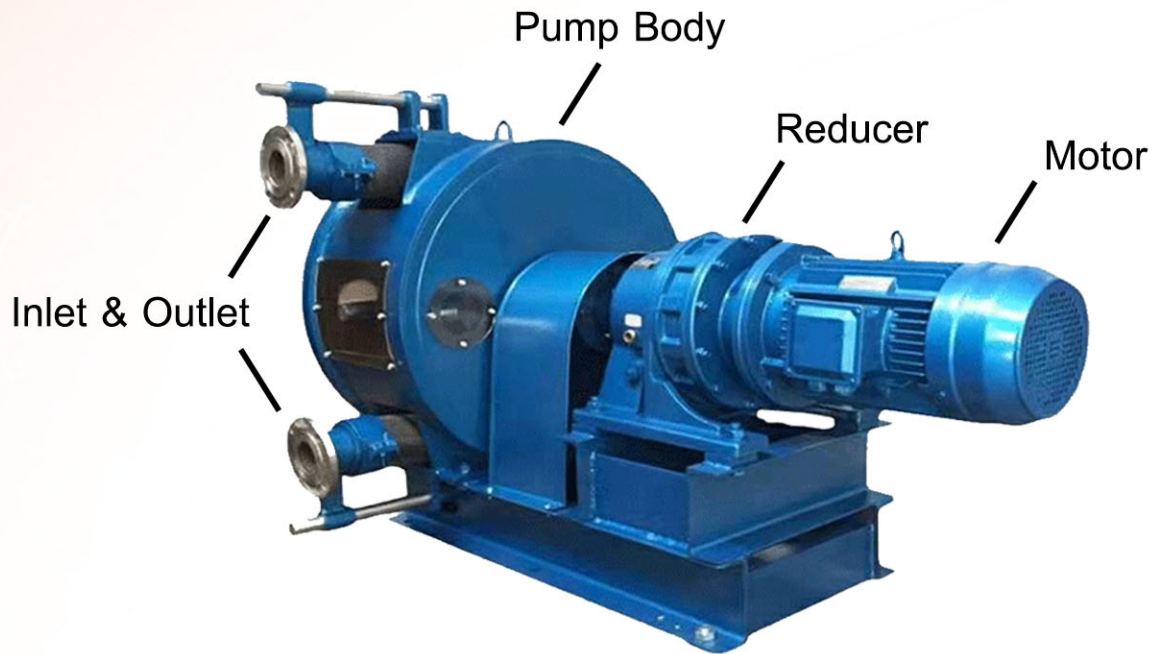
Hose pump is mainly used to transport corrosive medium, long fiber JiaZhi, gas-liquid mixing medium, gas mixture of solid and liquid medium, toxic and radioactive medium of medium and high viscosity medium. Easy to solve the transportation problem in the production process of many industries. It is widely used in smelting (gold, silver, copper, lead, zinc, tin, cobalt, manganese), phosphate compound fertilizer, titanium white, citric acid, rare earth, rare metals, inorganic salts, desulfurization and environmental protection, water treatment, paper making, paint and other industries.

Specific applications are as follows:

- 1、 Drilling mud and crude oil transportation in the oil industry;
- 2、 Acid, alkali, salt, phosphoric acid slurry, titanium dioxide slurry and calcium citrate in chemical industry;
- 3、 Pulp transportation and rare metal liquid transportation in smelting industry;
- 4、 Drug delivery in the pharmaceutical industry;
- 5、 Water treatment and desulfurization industry in the mud, lime slurry, impurities transport.
- 6、 Transportation of cement mortar in construction industry;
- 7、 Material transportation in food industry;
- 8、 Transportation of pulp and sulfur pulp in papermaking industry;
- 9、 Ceramic industry of ceramic glaze slurry transport.
- 10、 Paint industry paint, paint, latex and other poor liquidity of the material transport.

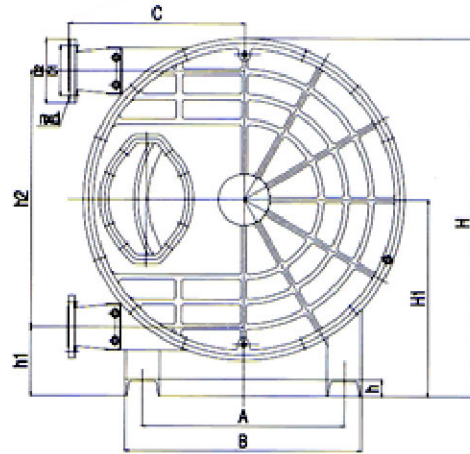
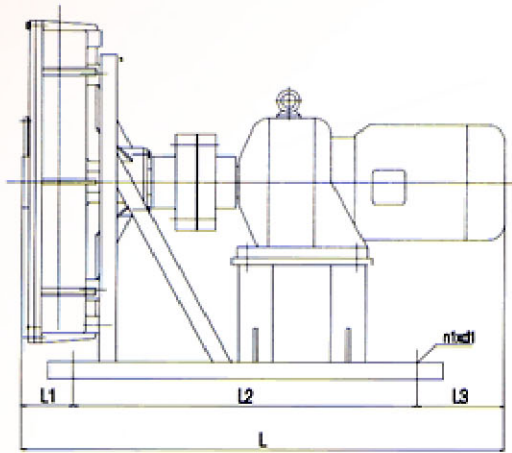


► Specifications



No.	Model	Flow (m ³ /h)	Pressure (kgf/cm ²)	Hose Dia. (mm)	Speed (r/min)	Suct. (m)	Medium Temp. (°C)	Motor	
								Power (kw)	
1	32JH-2-6	2	6	38	43	8	≤8	Y100L-6	1.5
2	32JH-3-6	3		38	60			Y100L-4	2.2
3	40JH-4-6	4		50	43			Y112M-6	2.2
4	40JH-6-6	6		50	60			Y100L-4	3
5	50JH-10-6	10		60	42			Y132M-6	5.5
6	50JH-15-6	15		60	60			Y132M-4	7.5
7	65JH-20-6	20		65	43			Y160M-6	11
8	65JH-25-6	25		65	52			Y160M-4	15
9	80JH-30-6	30		80	43			Y160L-6	15
10	80JH-35-6	35		80	52			Y160L-4	18.5
11	100JH-40-6	40		100	35			Y180L-6	18.5
12	100JH-50-6	50		100	43			Y180L-4	22

► Dimensions



Model	(mm)																Weight. (kg)
	L1	L2	L3	L	h	h1	h2	H	H1	A	B	C	D1	D2	n×d	n1×d 1	
32jh	102	480	330	912	43	148	305	576	300	230	310	335	100	140	4× \varnothing 18	4× \varnothing 20	250
40jh	111	560	403	1074	43	160	325	619	323	260	340	365	110	150	4× \varnothing 18	4× \varnothing 20	280
50jh	135	680	480	1295	48	163	515	840	420	350	450	490	125	165	4× \varnothing 18	4× \varnothing 20	540
65jh	151	1000	254	1405	48	200	746	1043	573	590	690	513	145	185	4× \varnothing 18	4× \varnothing 20	1180
80jh	193	1250	325	1768	58	235	800	1115	635	625	765	550	160	200	4× \varnothing 18	4× \varnothing 20	1640
100jh	225	1506	425	2156	58	300	900	1325	750	700	840	570	180	220	4× \varnothing 18	4× \varnothing 20	2100